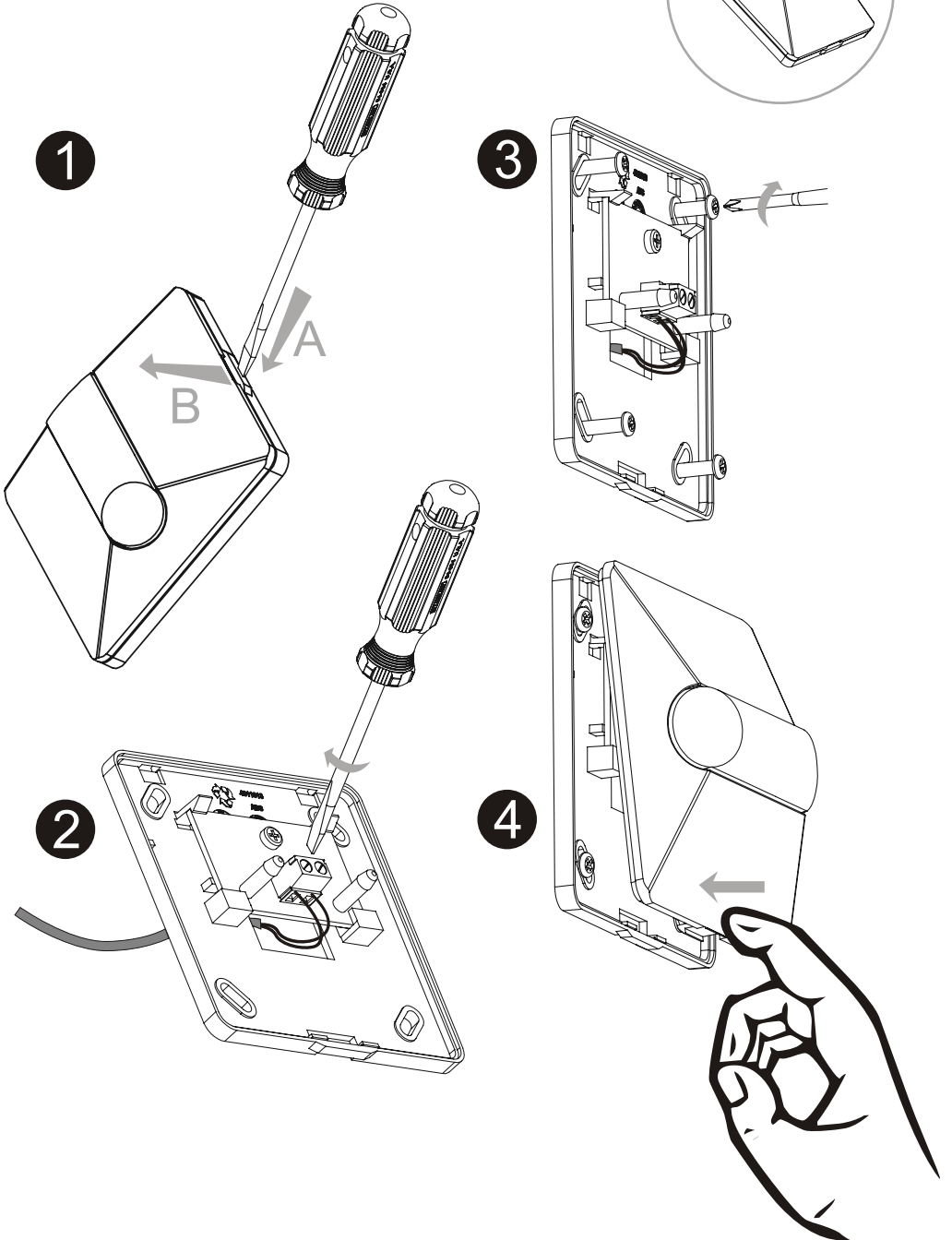
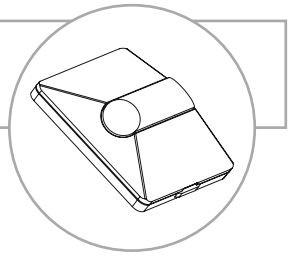


**RILED-12
RILED-12F
RILED-24F**



RILED-12
RILED-12F
RILED-24F

Model	V in	A max
RILED-12	9.6 ~ 16 Vdc	30 mA
RILED-12F	9.6 ~ 16 Vdc	30 mA
RILED-24F	20 ~ 32 Vdc	30 mA

